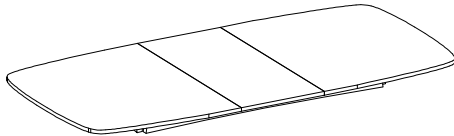
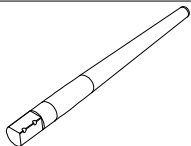


ASSEMBLING INSTRUCTION

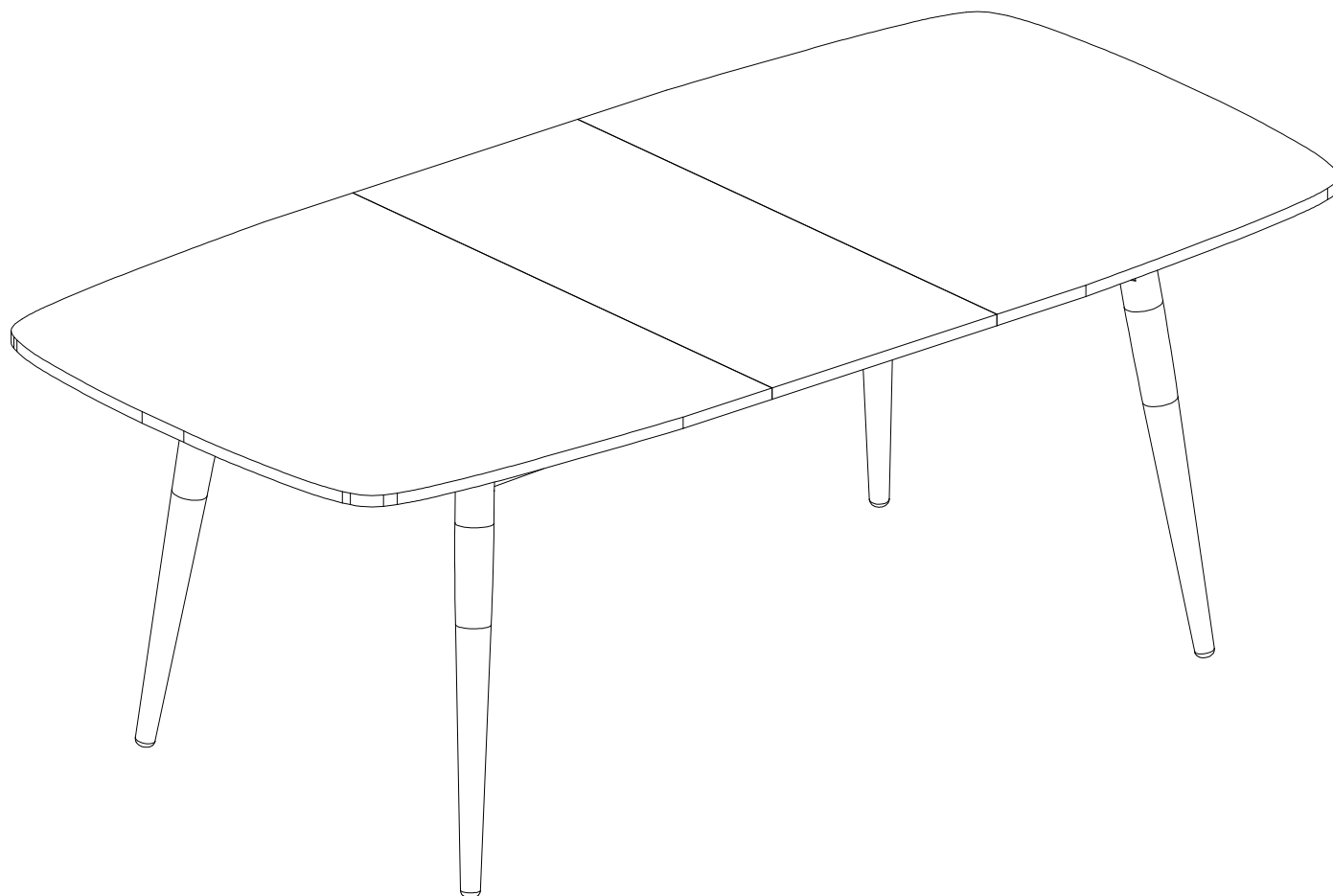
DEAUVILLE EXTENDING DINING TABLE

PART LIST

ITEM	DESCRIPTION	QTY
A	TOP 	1
B	LEG 	4

HARDWARE LIST

ITEM	DESCRIPTION	QTY
1	BOLT JCBC M8 x 80mm 	8
2	SPRING WASHER M8x14mm 	8
3	FLAT WASHER M8x18mm 	8
4	ALLEN KEY 	1



STEP 1

